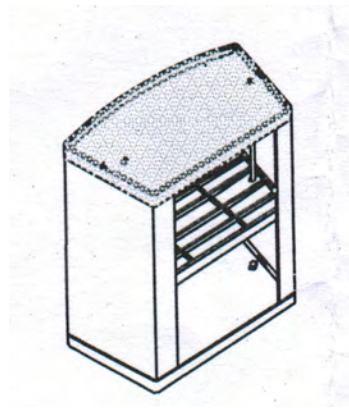


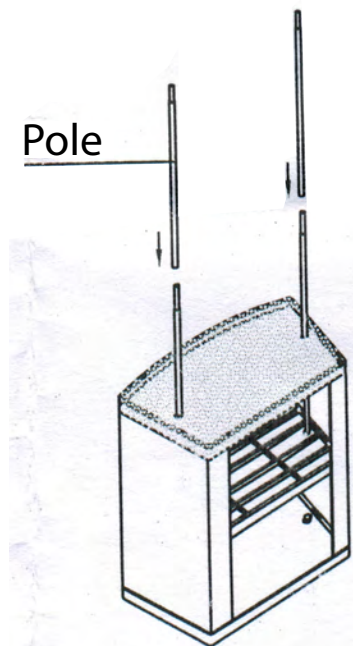
Step 1:

Lay the bottom former on the ground and lift the base into place, aligning it with the inside groove of the former.



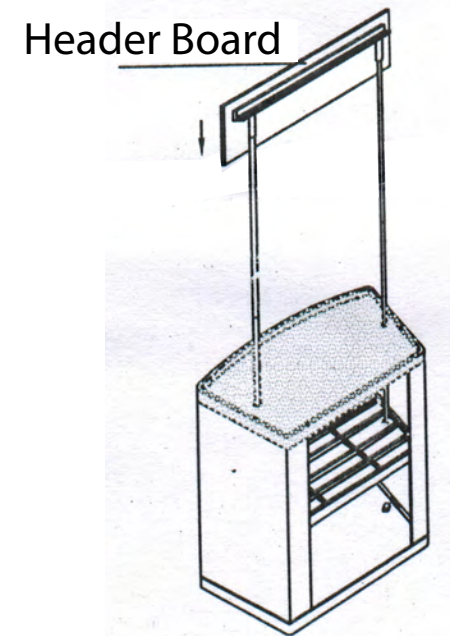
Step 2:

Fit the shelf on the inside of the base, resting it on the shelf supports, ensuring it sits flat and secure. Fit the top onto the base



Step 3:

Slide half of the poles in through the top, until they rest in the shelf cut outs. Attach the top half of the poles.



Step 4:

Slide the header board on to the top of the poles.