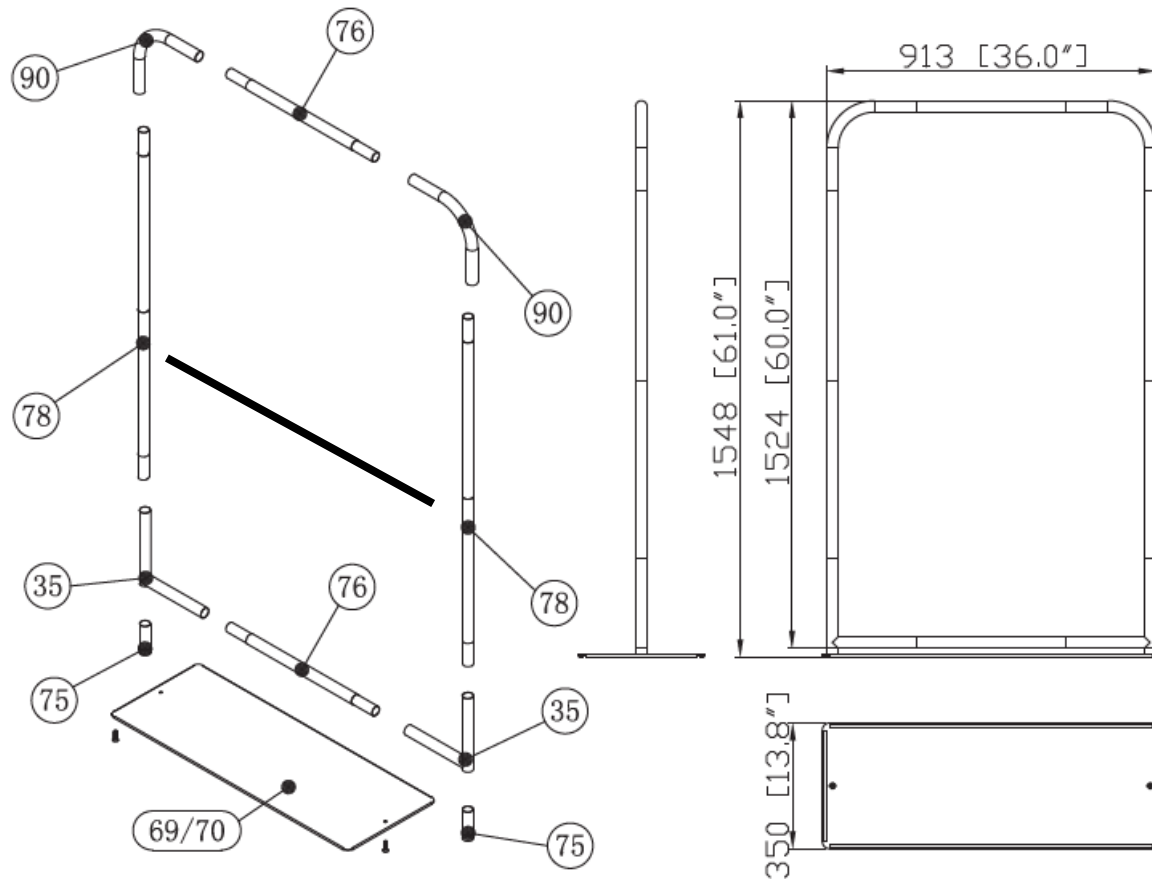


Blade Bannerstand Instructions



- 1 - screw spiggots (75) into base feet
- 2 - slot bottom corners (35) over spiggots
- 3 - slot up right (78) into bottom corner
- 4 - slot top corner (35) onto upright
- 5 - repeat for other side
- 6 - connect both uprights with cross bars (76)
- 7 - slot in support bar to the 2 small holes in the uprights.

Slide skin over the top zip up.

Note the pieces may be labelled differently but the layout is the same

Ignore sizes as Spark Blades are a custom size
Top corners are sq like bottom corners