

# SET UP INSTRUCTION



# COUNTER

# TABLE OF CONTENTS

## COUNTER

### LEDUP COUNTER

set up instruction .....	4
system connector .....	14

### COUNTER ONE

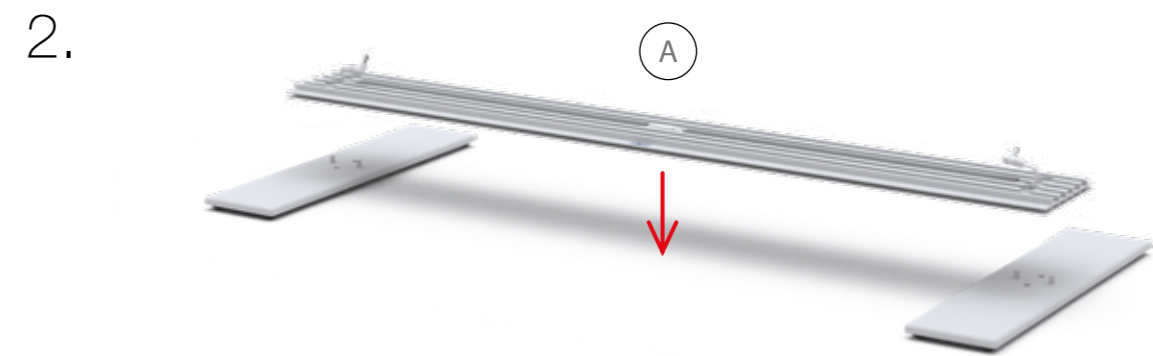
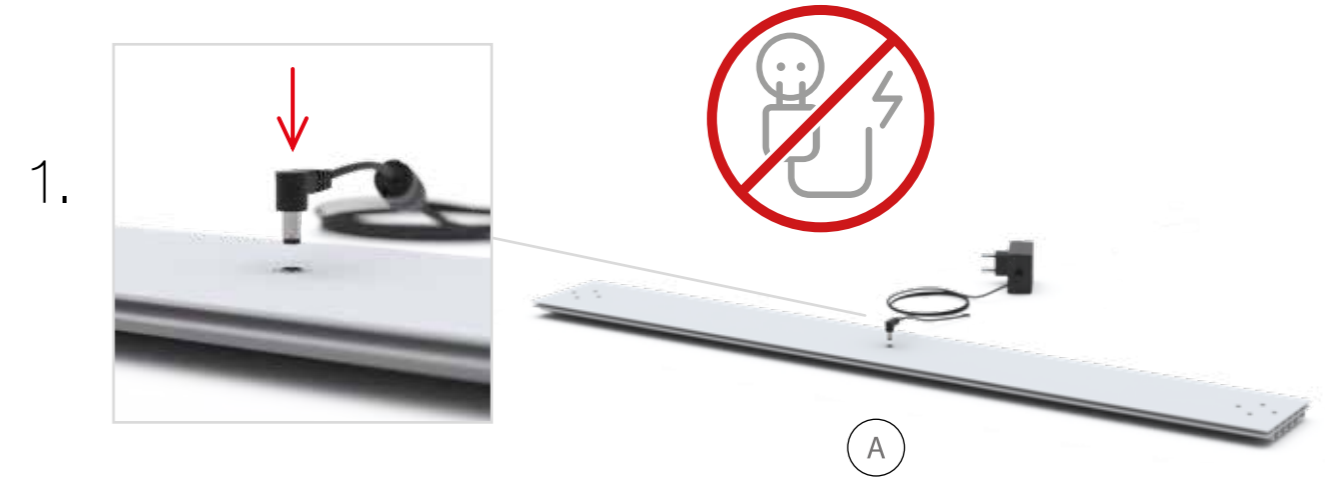
set up instruction .....	18
system connector .....	30

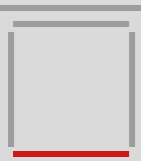
### COUNTER MAX

set up instruction .....	34
system connector .....	46

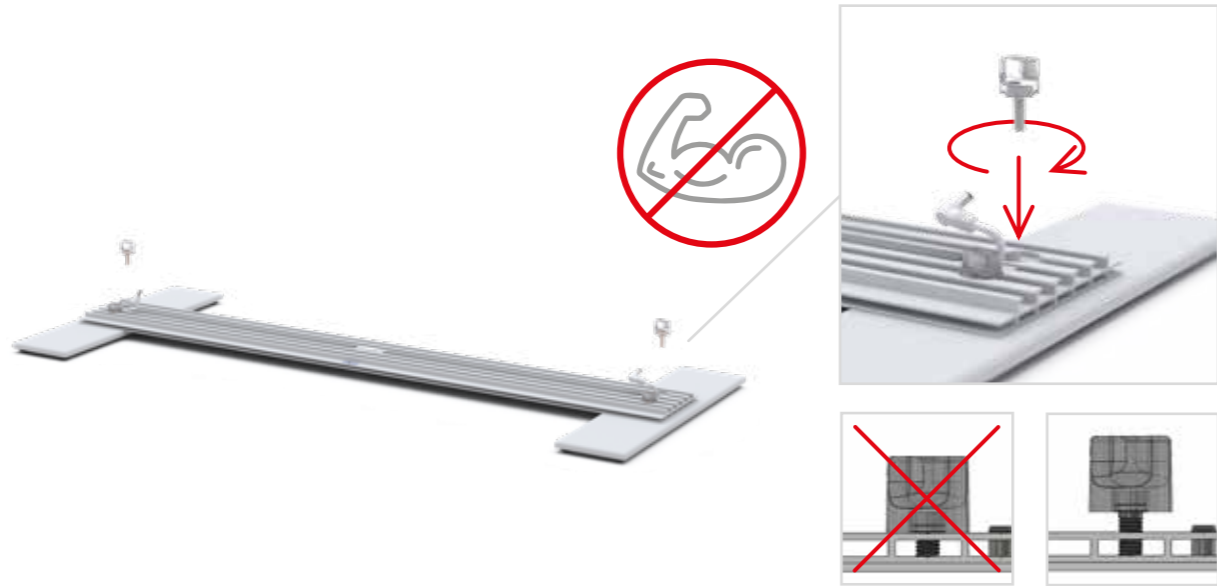
### COUNTER DOOR

door set up instruction.....	50
------------------------------	----

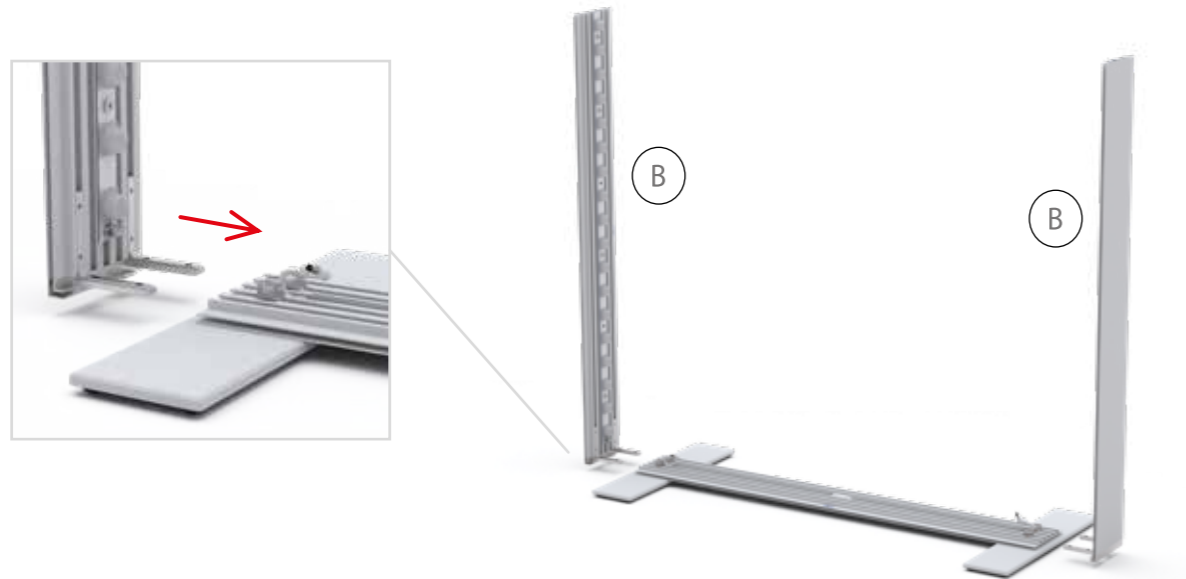




3.



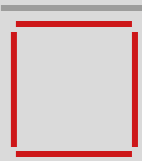
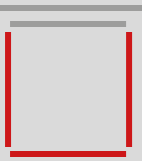
4.



5.







6.



7.



8.





9.

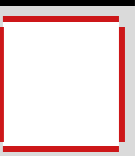


10.

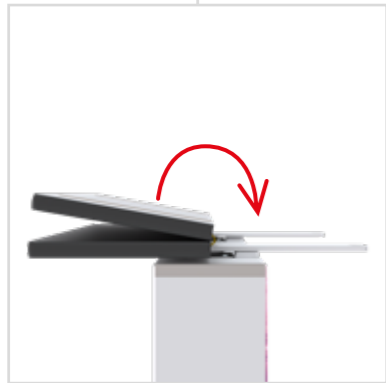


11.



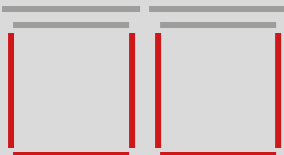


12.



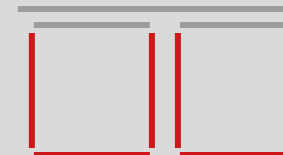
13.





2 x 100 x 100cm

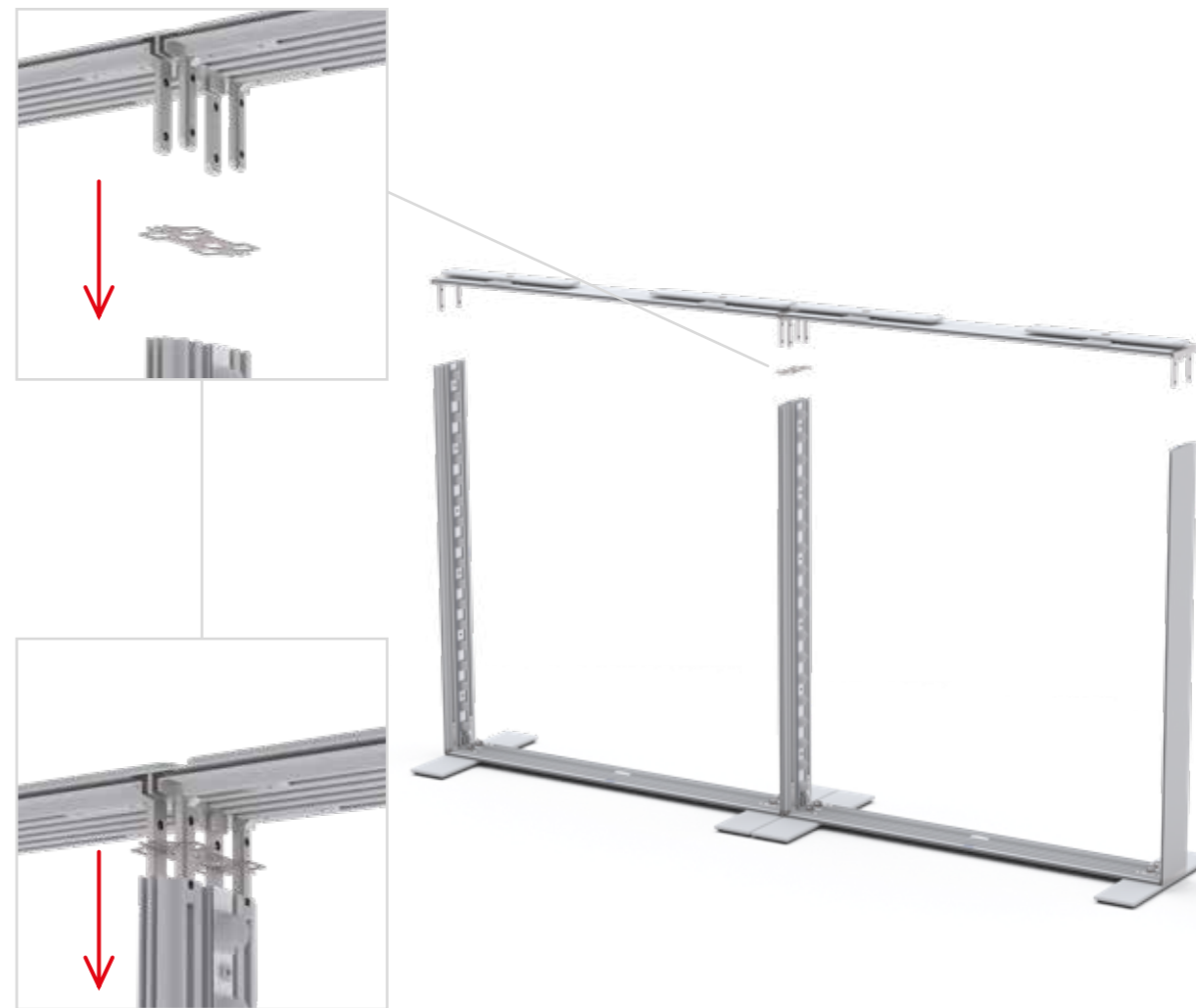
SYSTEM CONNECTOR



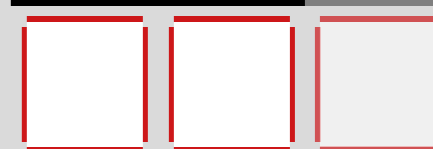
1.



2.







3.



4.





1.



(A2)

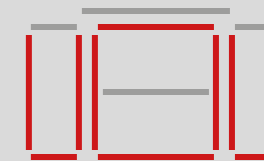
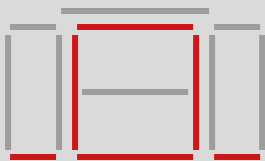
(A4)

(A1)

2.



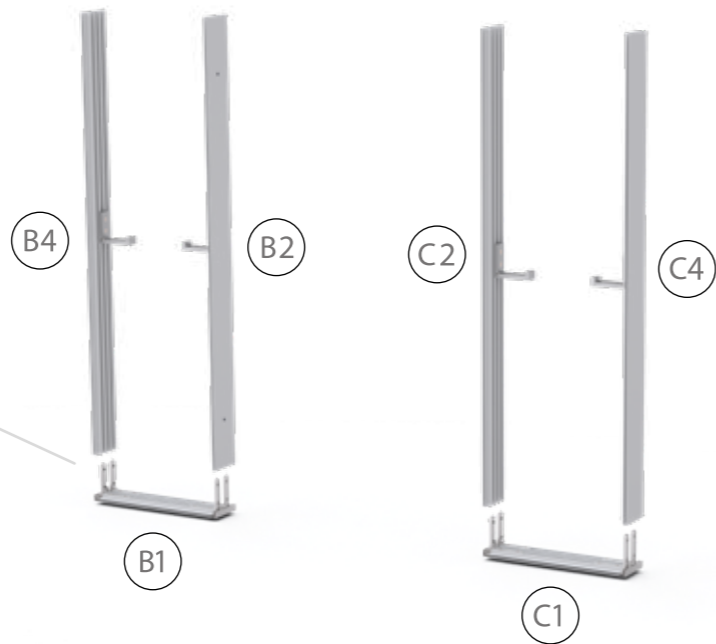
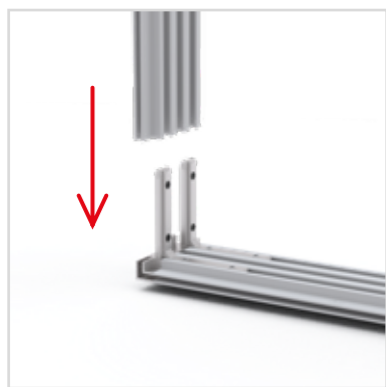
(A3)



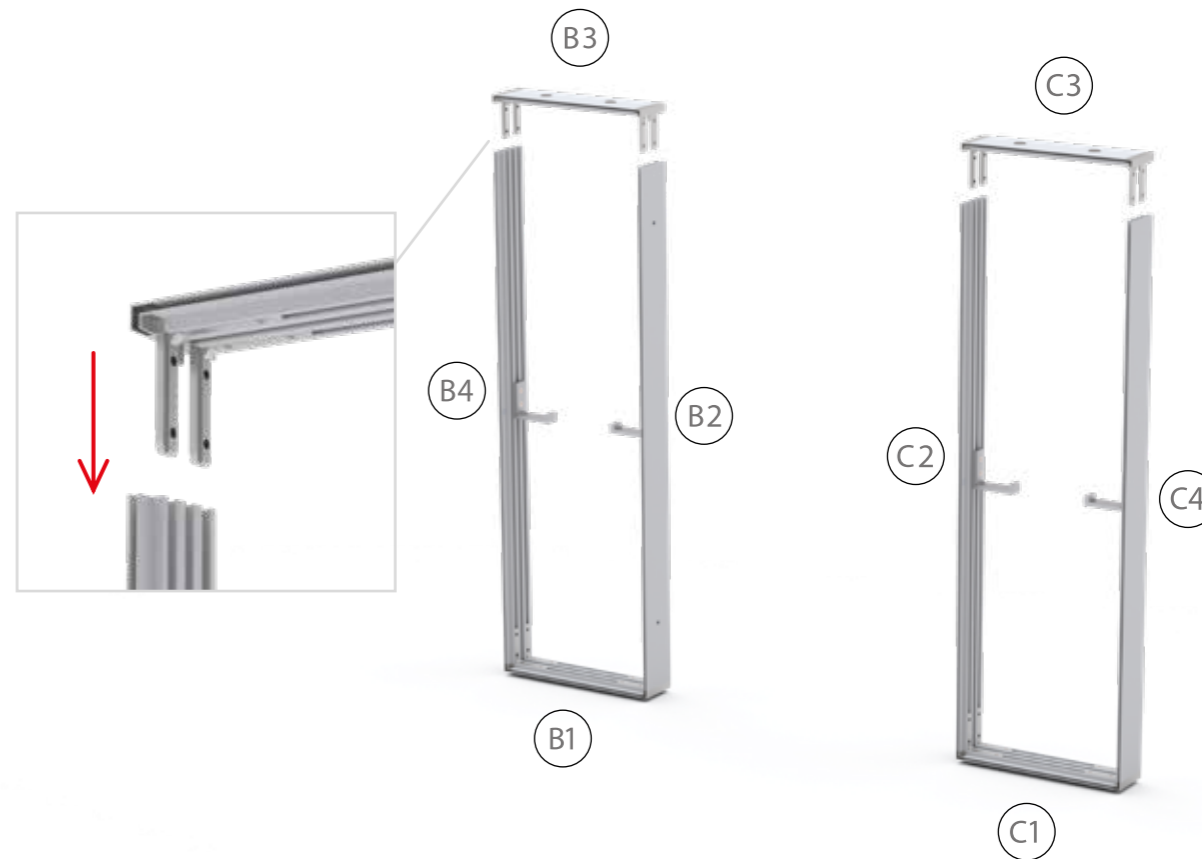
3.



4.

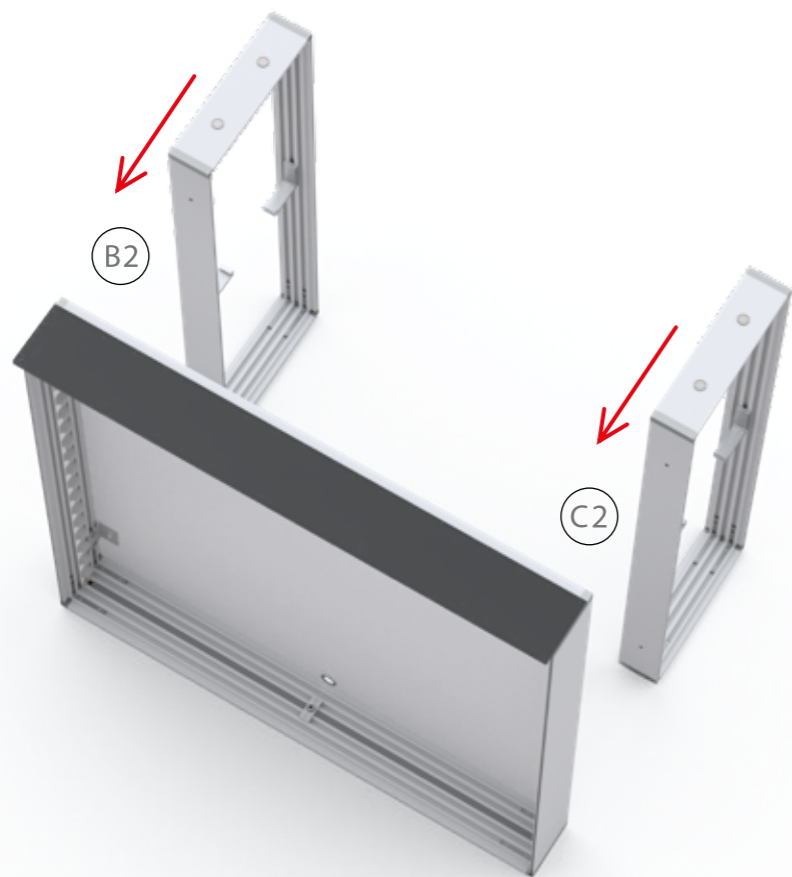


5.

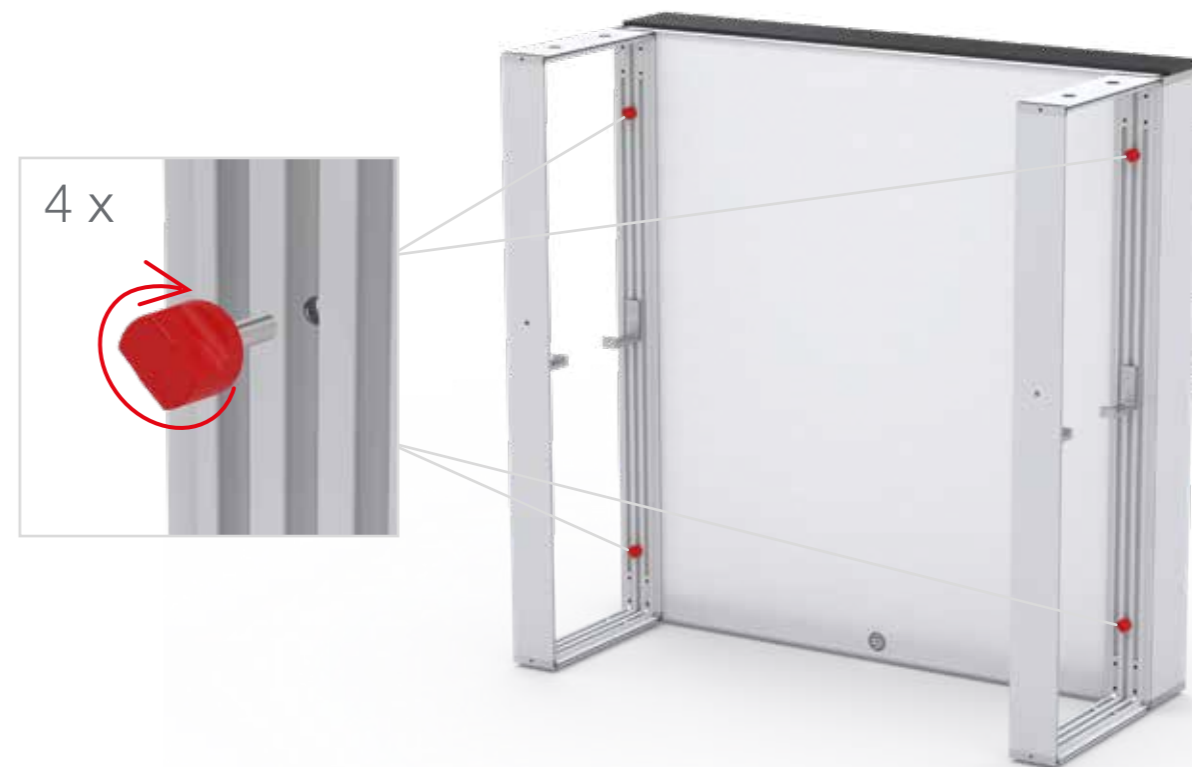




6.



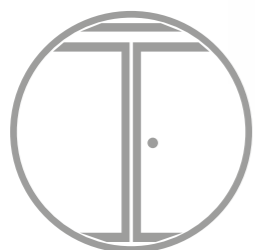
7.







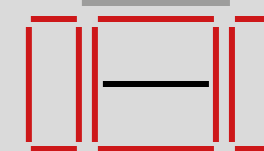
8.



TÜRE / DOOR  
S. 50 / P. 50

9.



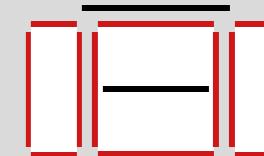
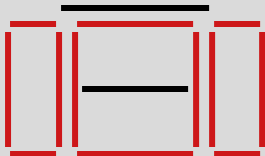


10.



11.





12.



13.





2 x 100 x 100cm

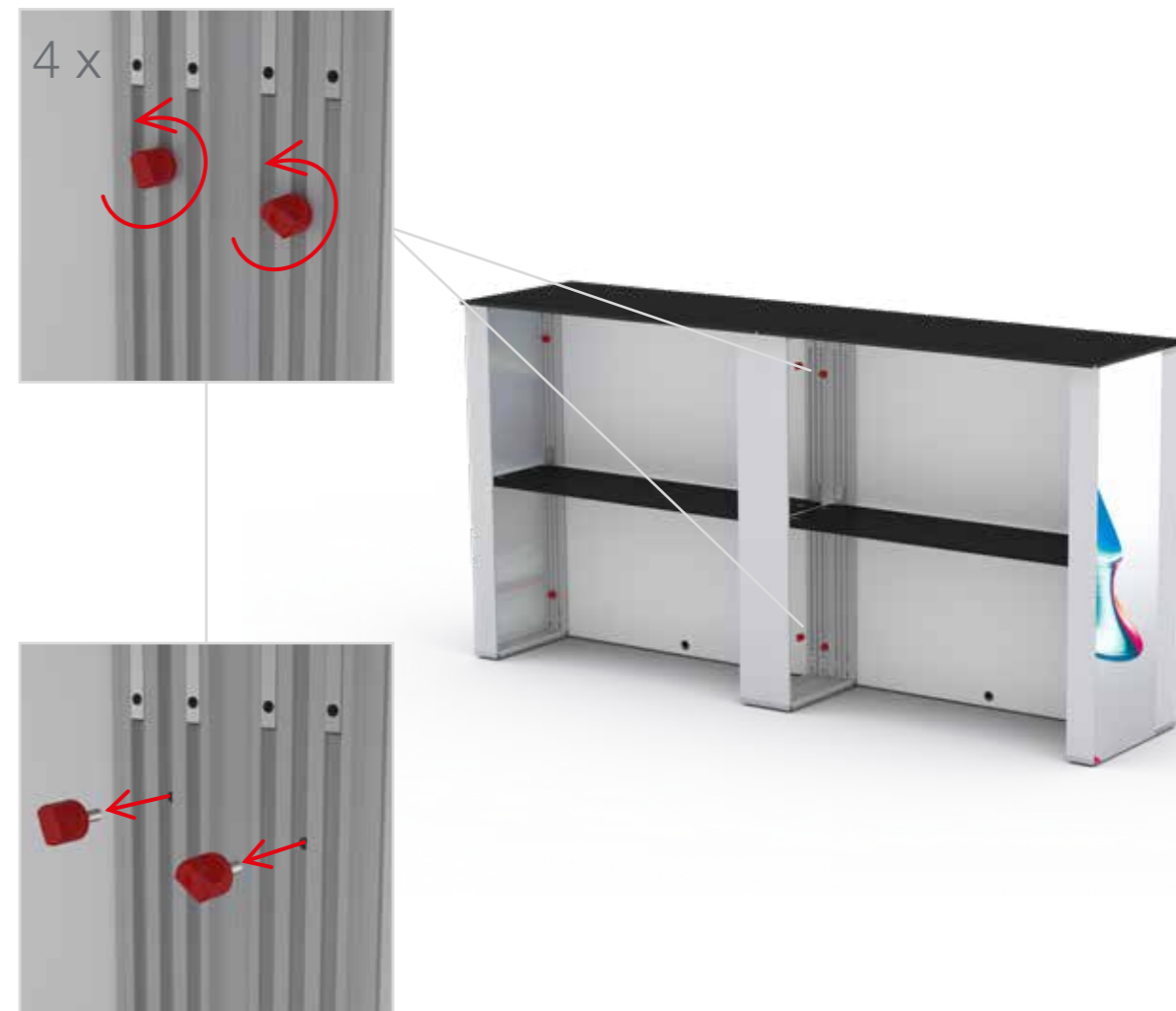
SYSTEM CONNECTOR



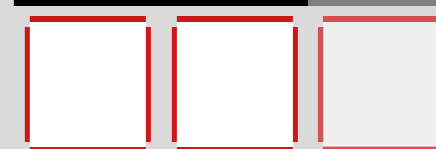
1.



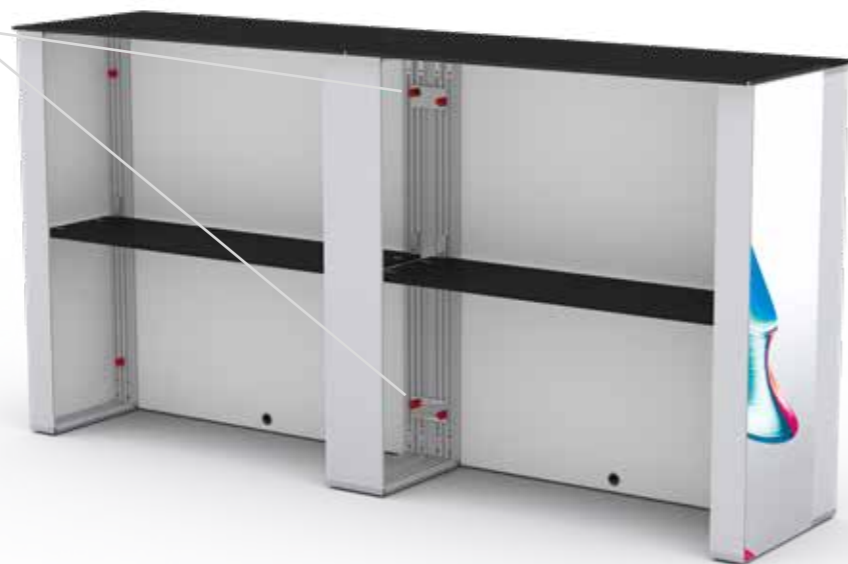
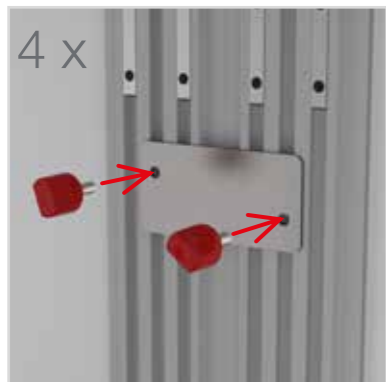
2.



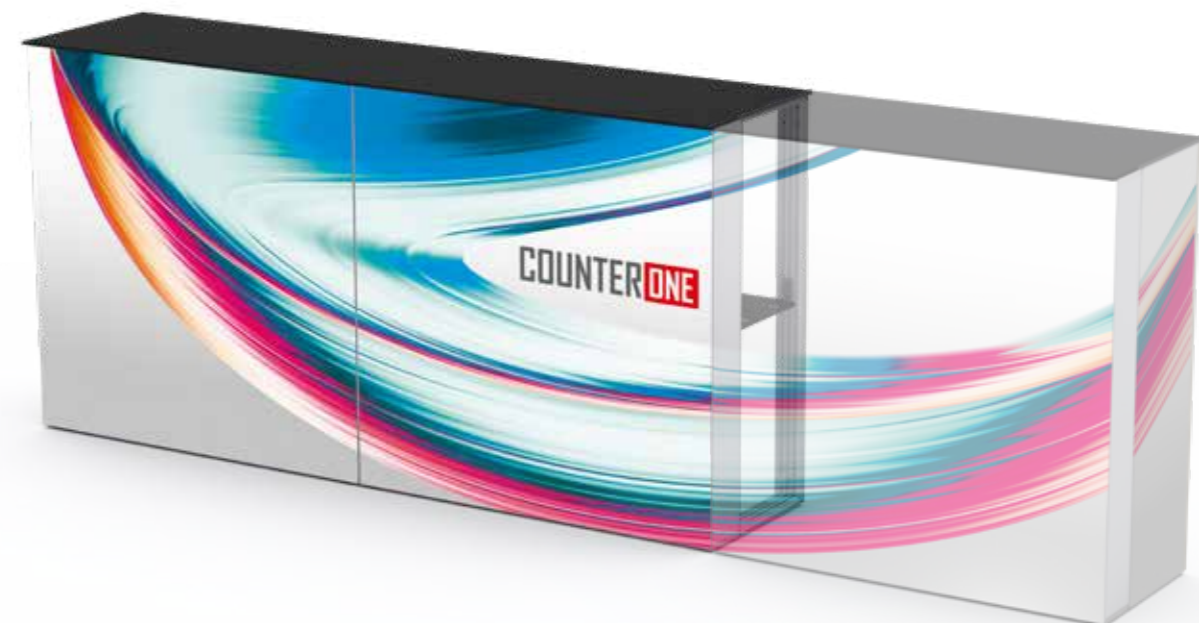


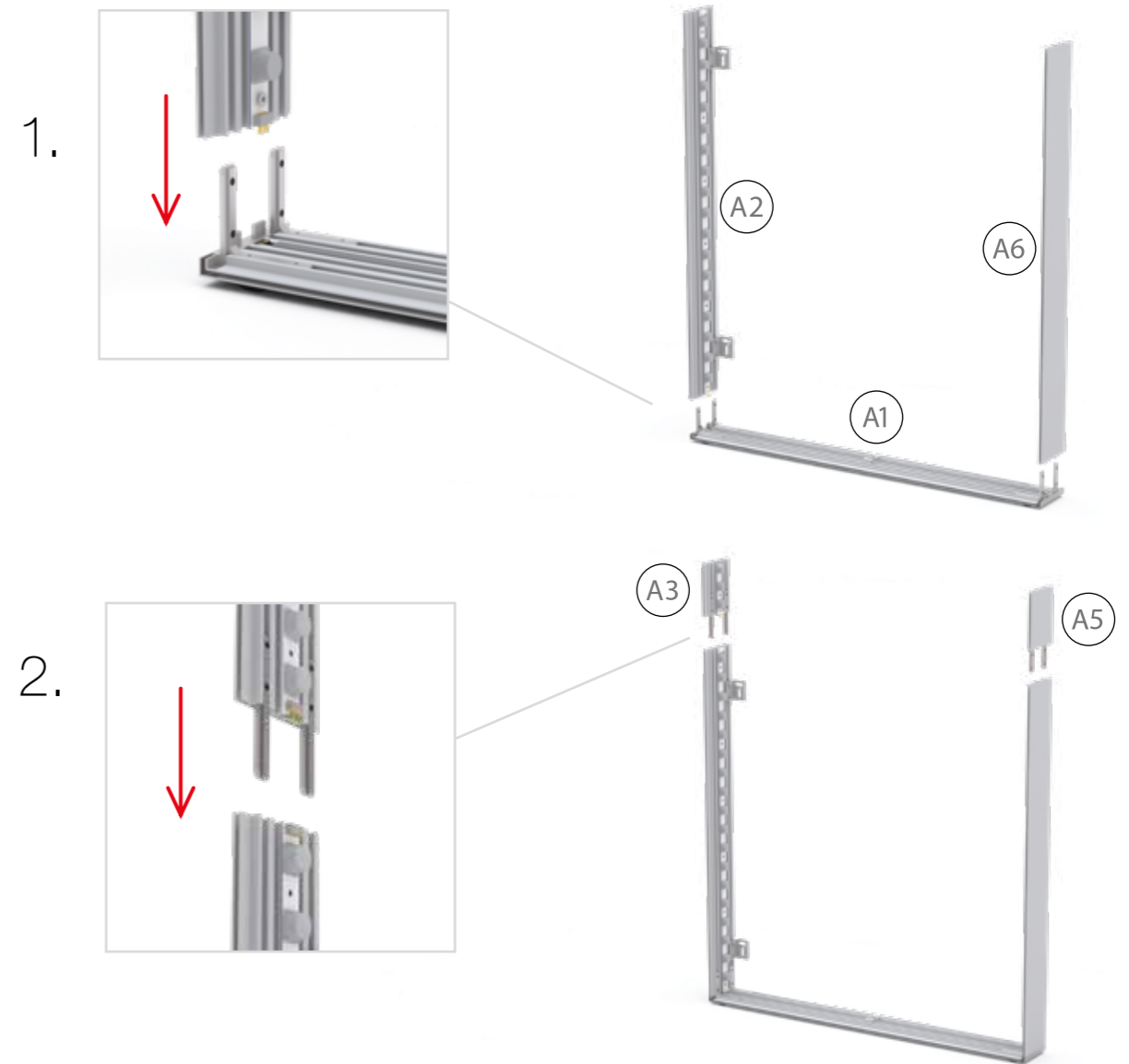


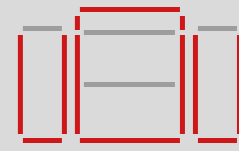
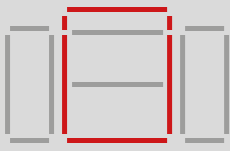
3.



4.



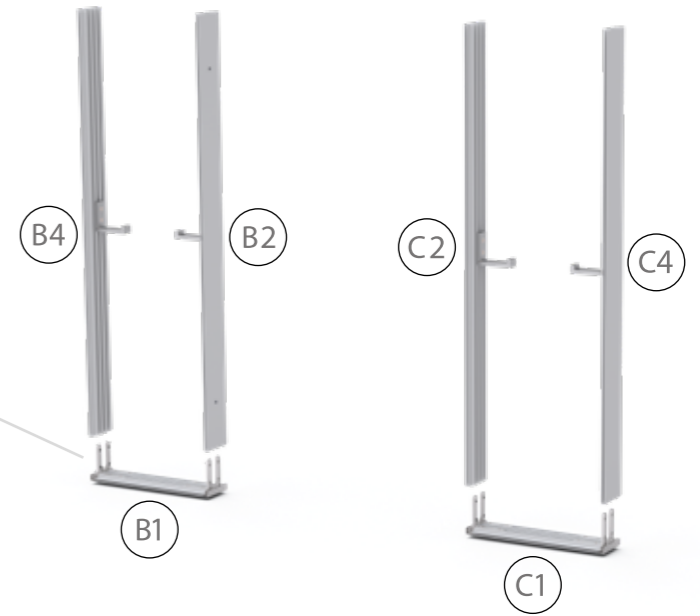




3.



5.

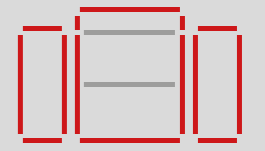
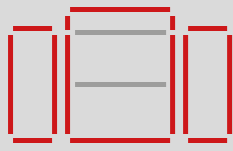


4.

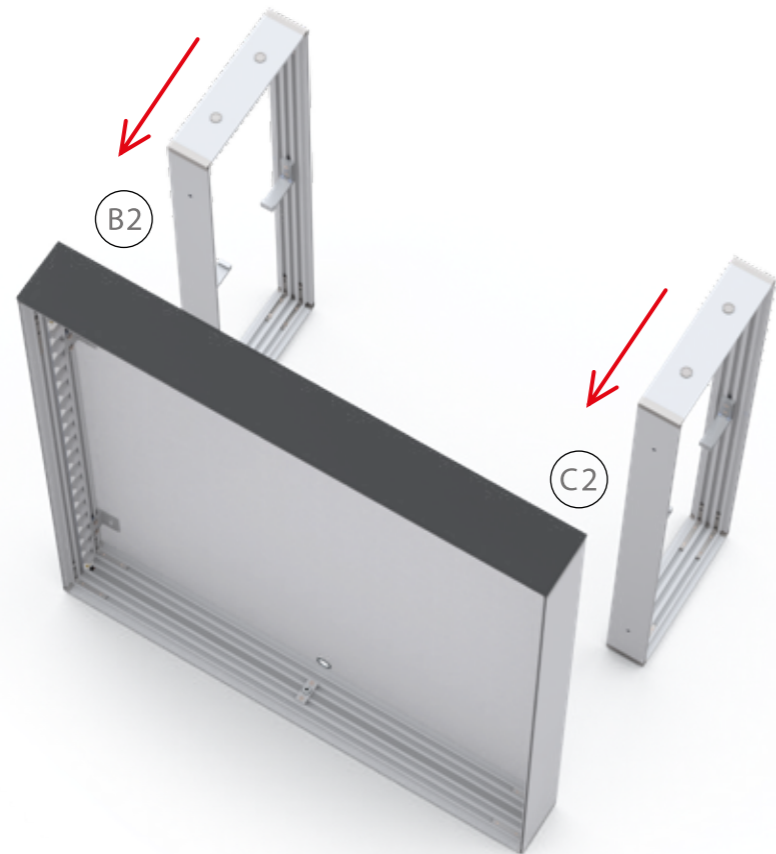


6.

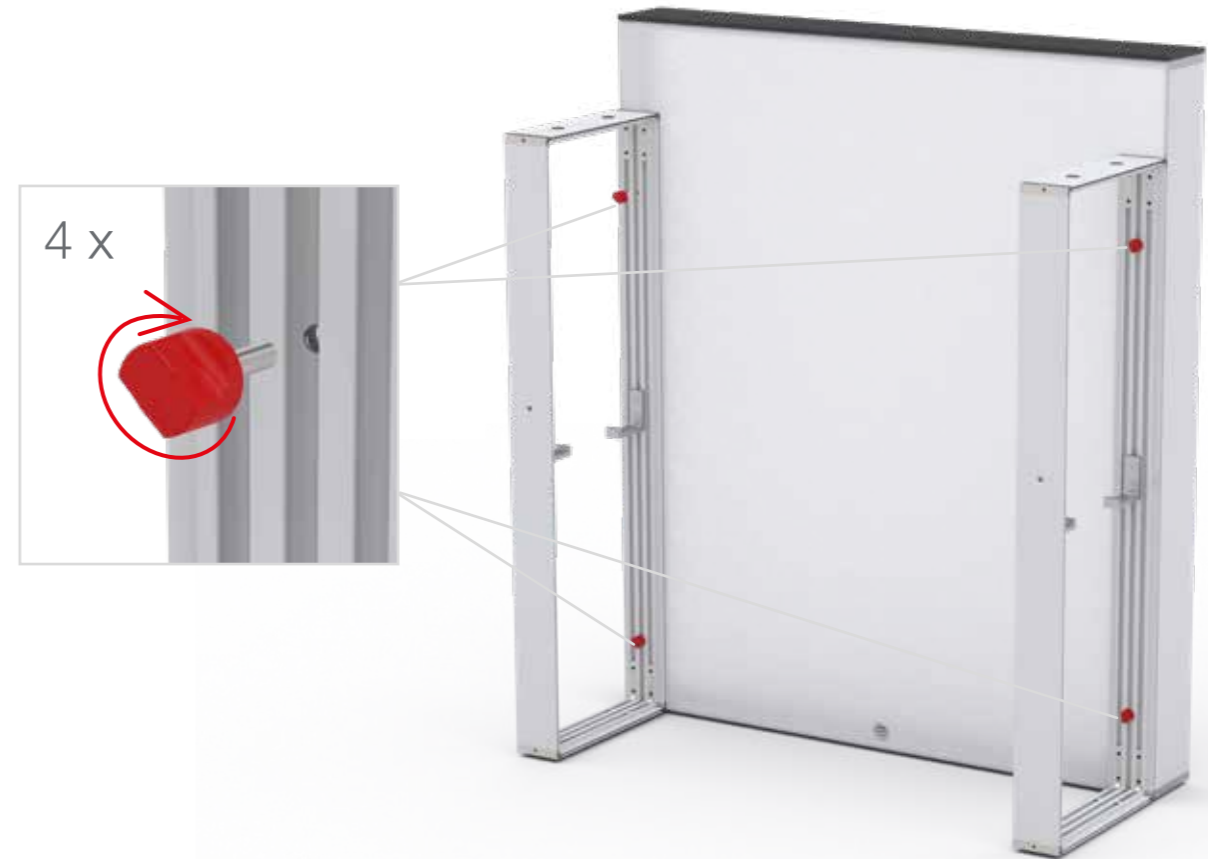




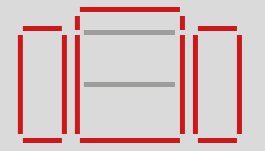
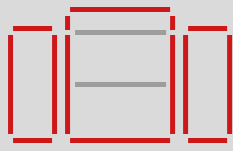
7.



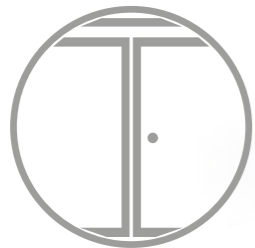
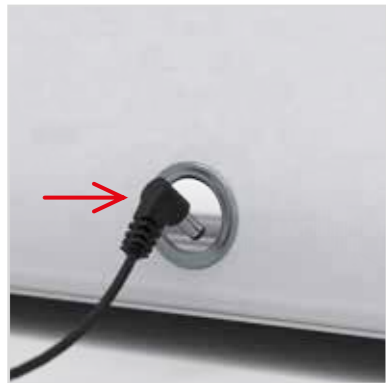
8.







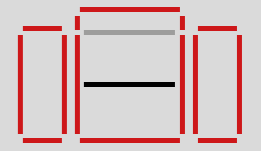
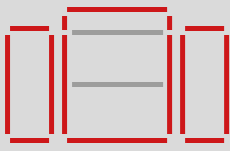
9.



TÜRE / DOOR  
S. 50 / P. 50

10.



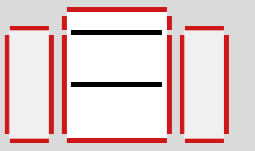
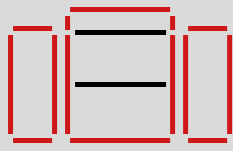


11.



12.



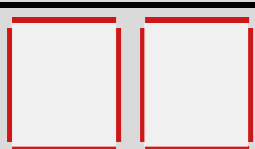


13.



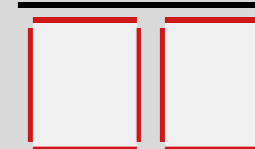
14.





2 x 100 x 116cm

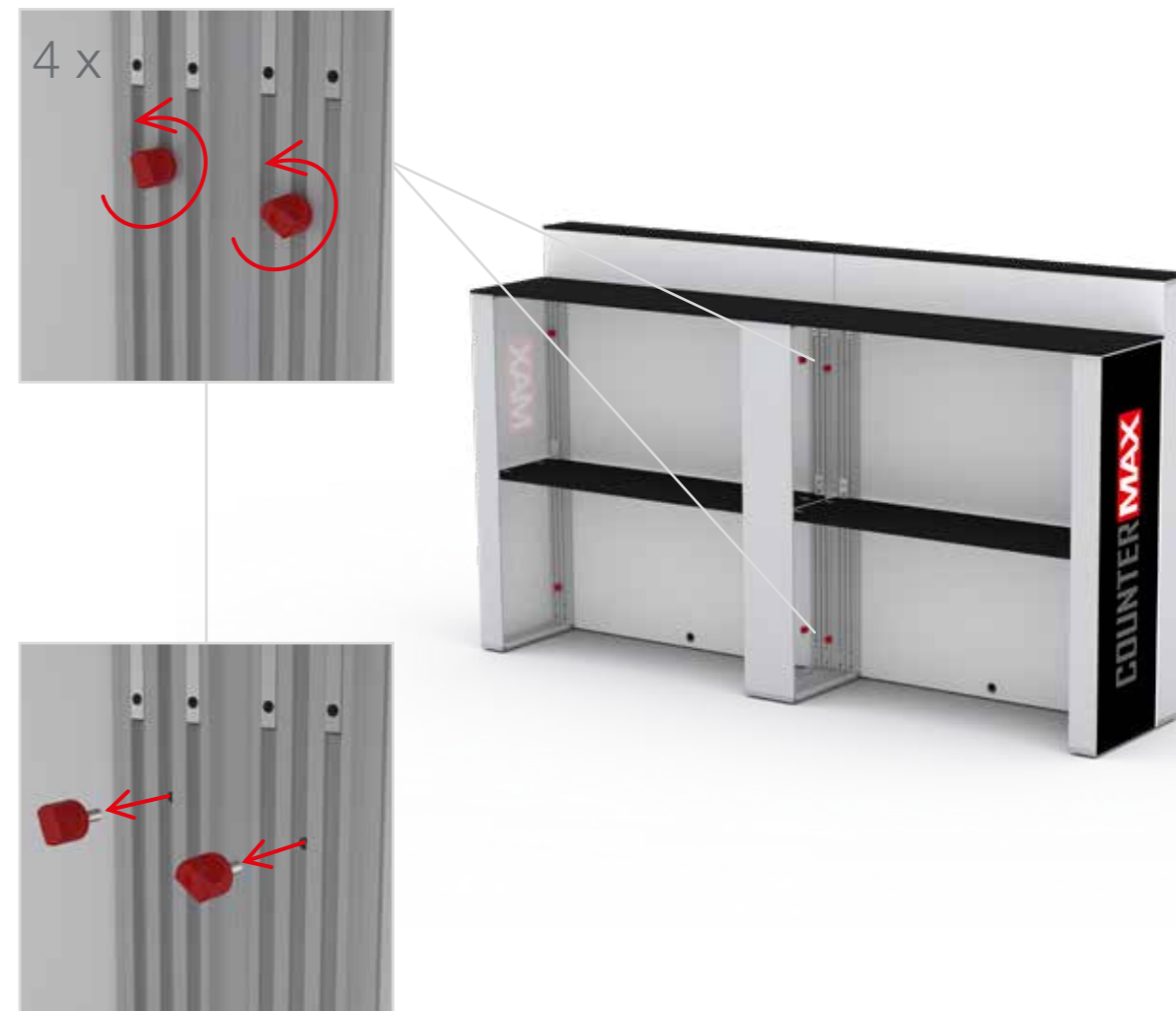
SYSTEM CONNECTOR



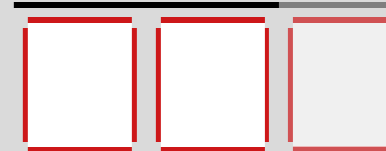
1.



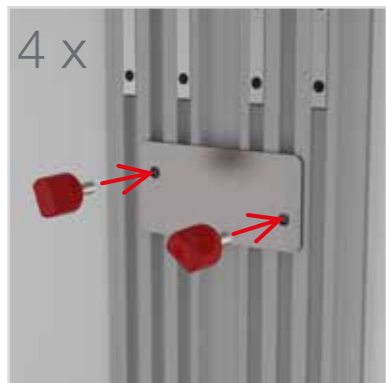
2.







3.



4.





# DOOR

# SET UP INSTRUCTION



1.

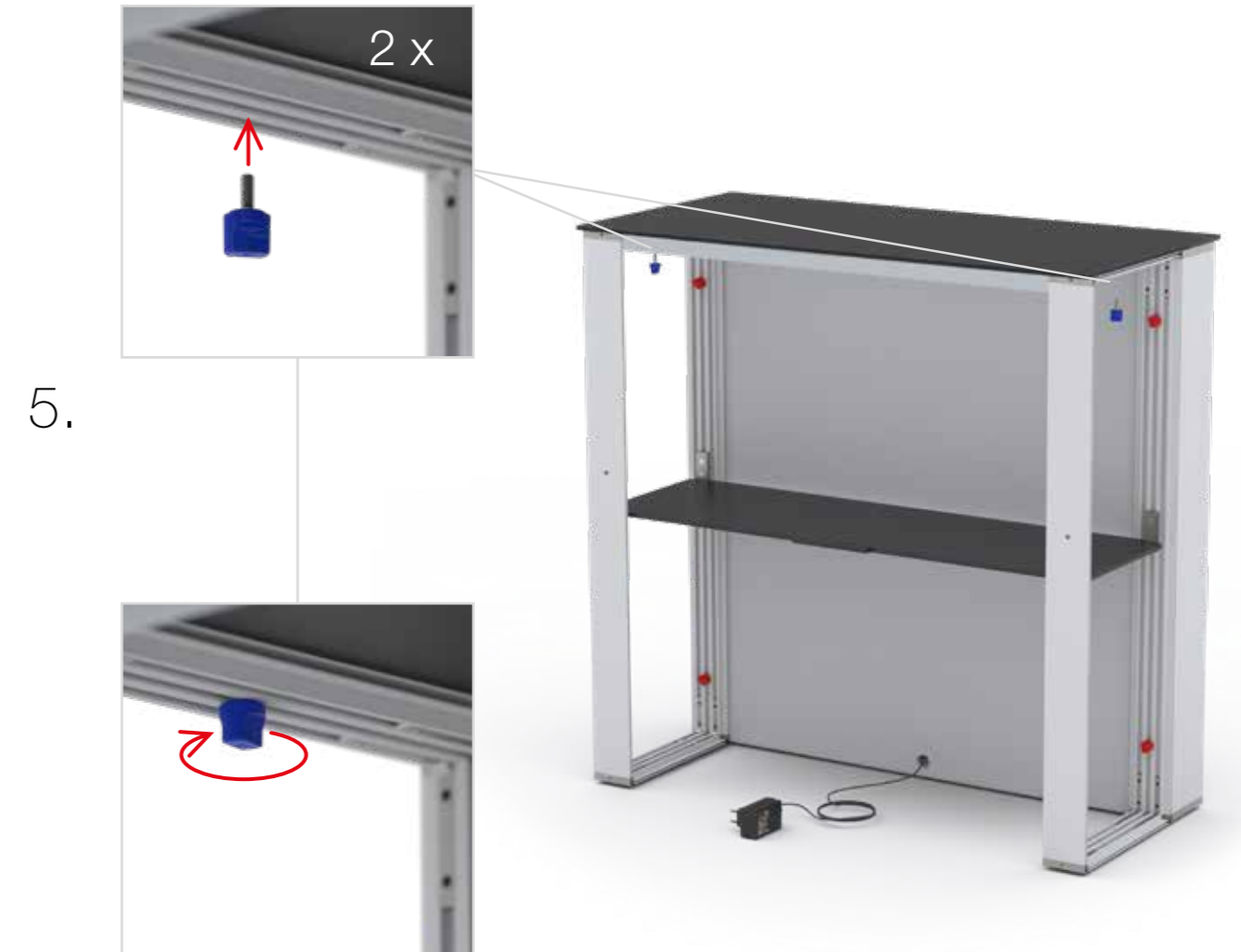
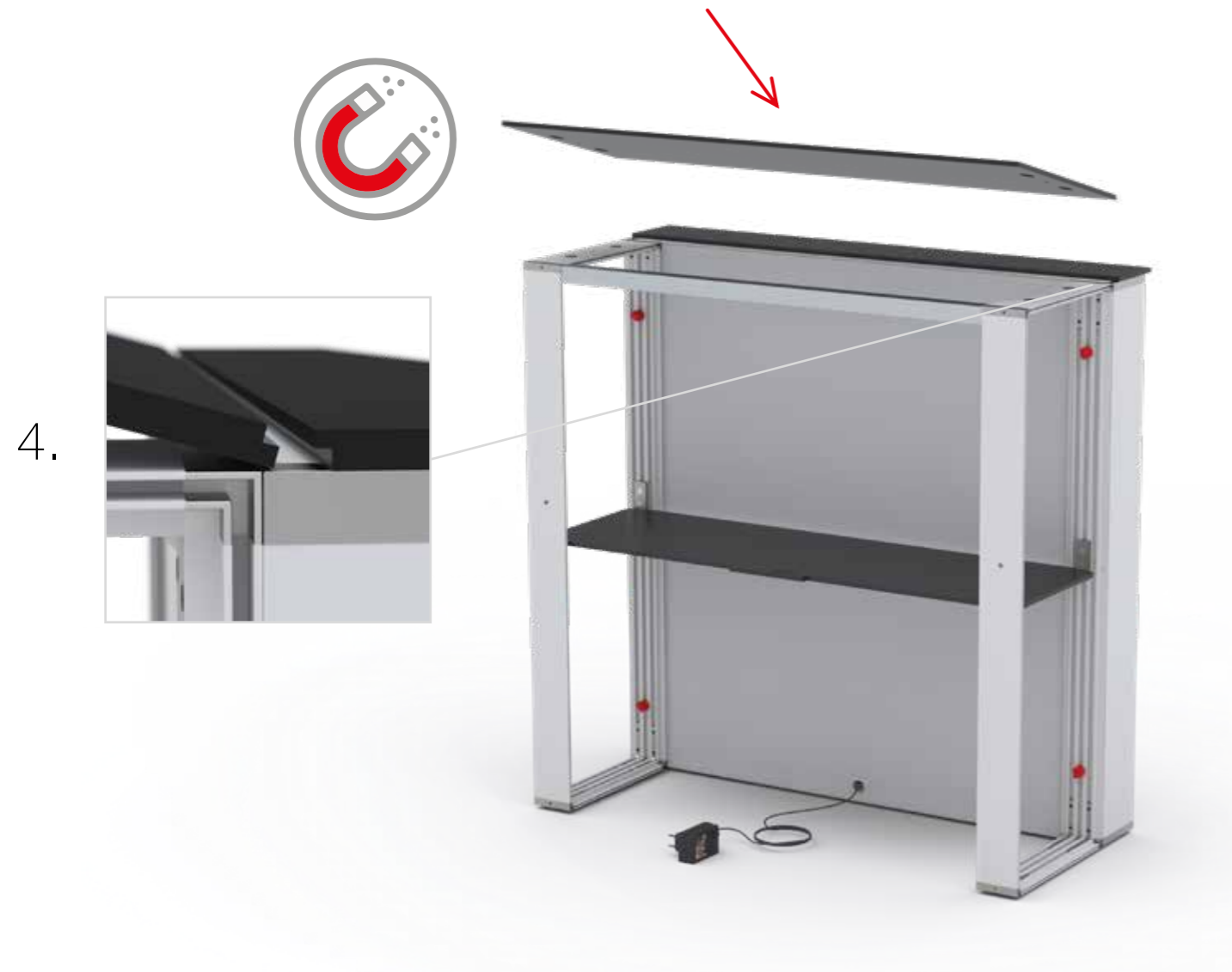


2.

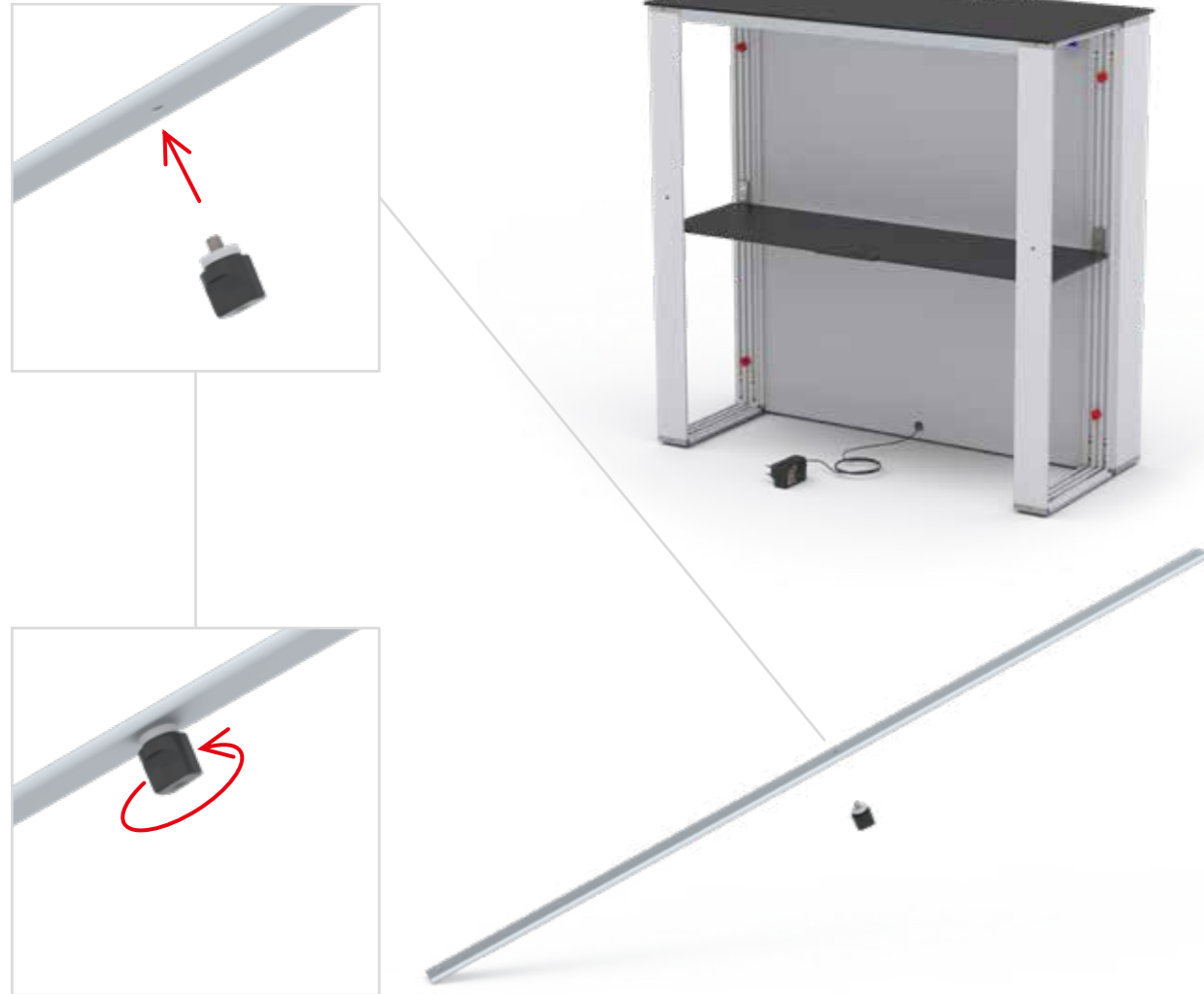


3.





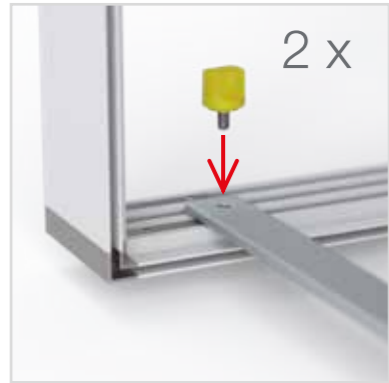
6.



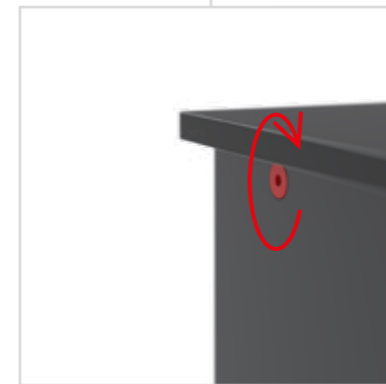
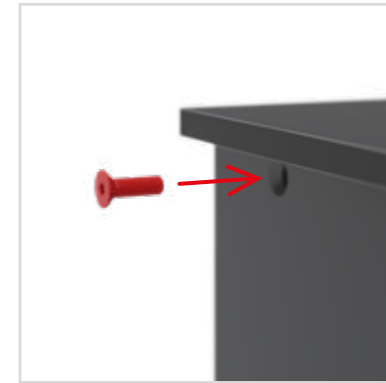
7.



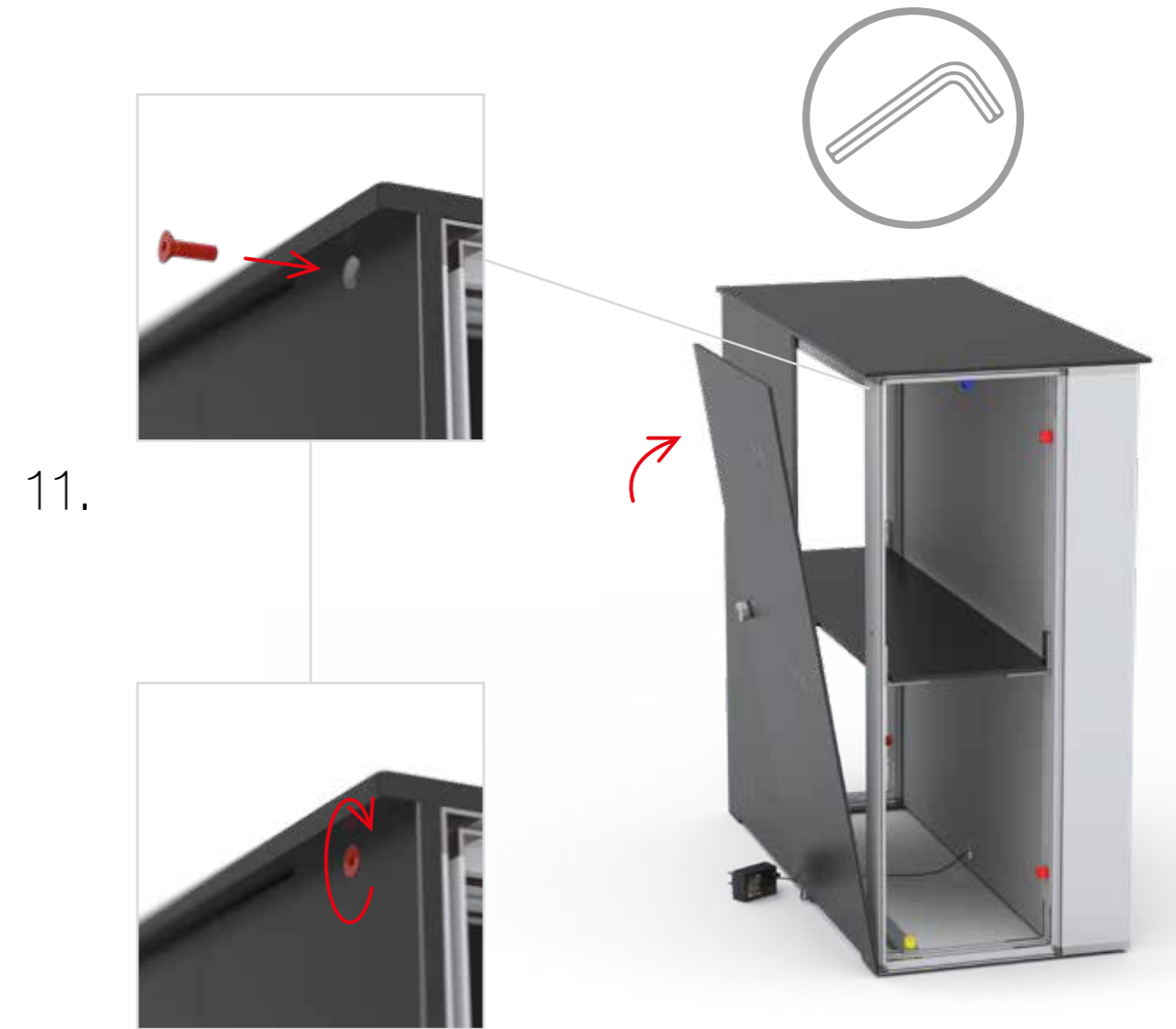
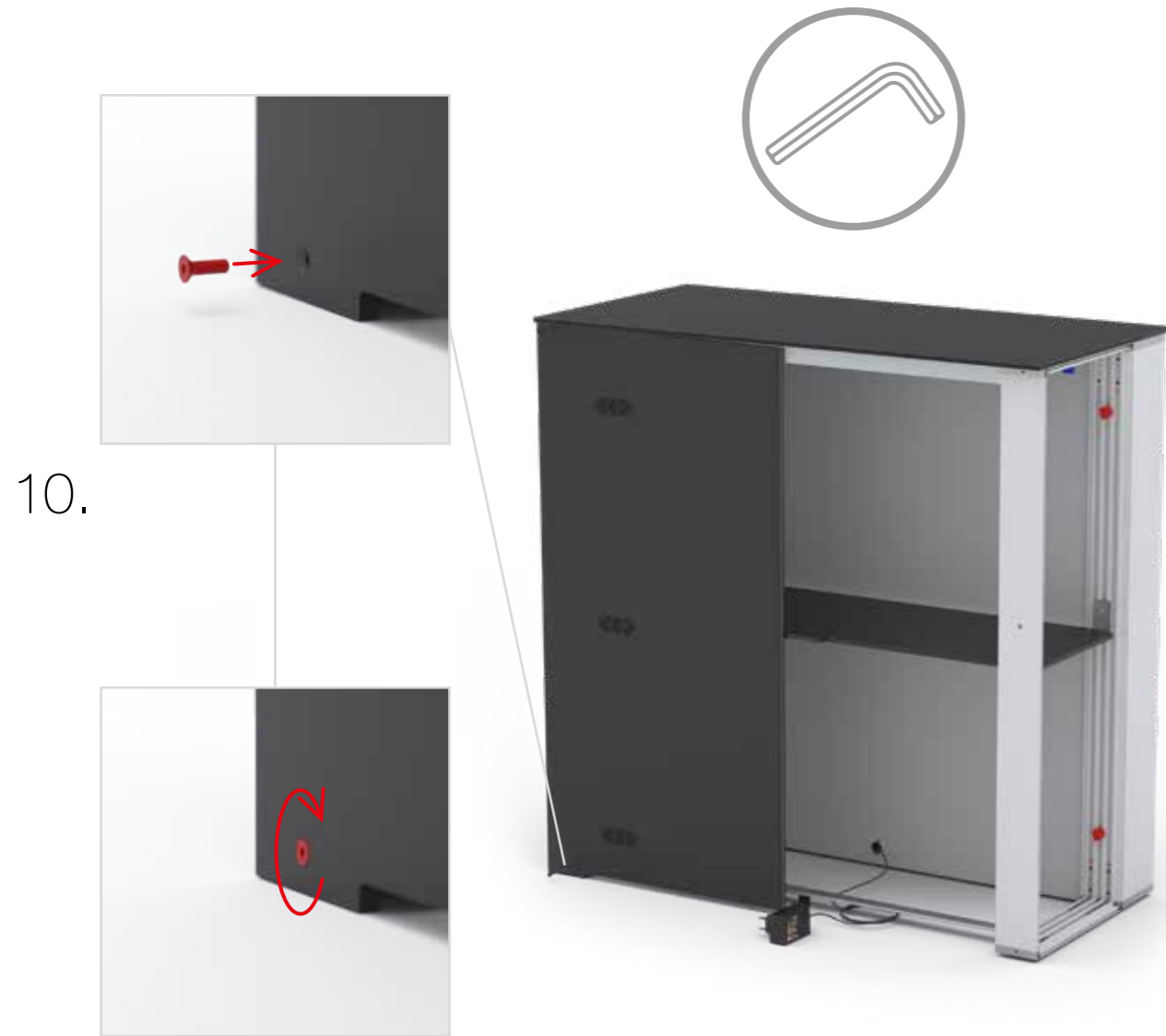
8.

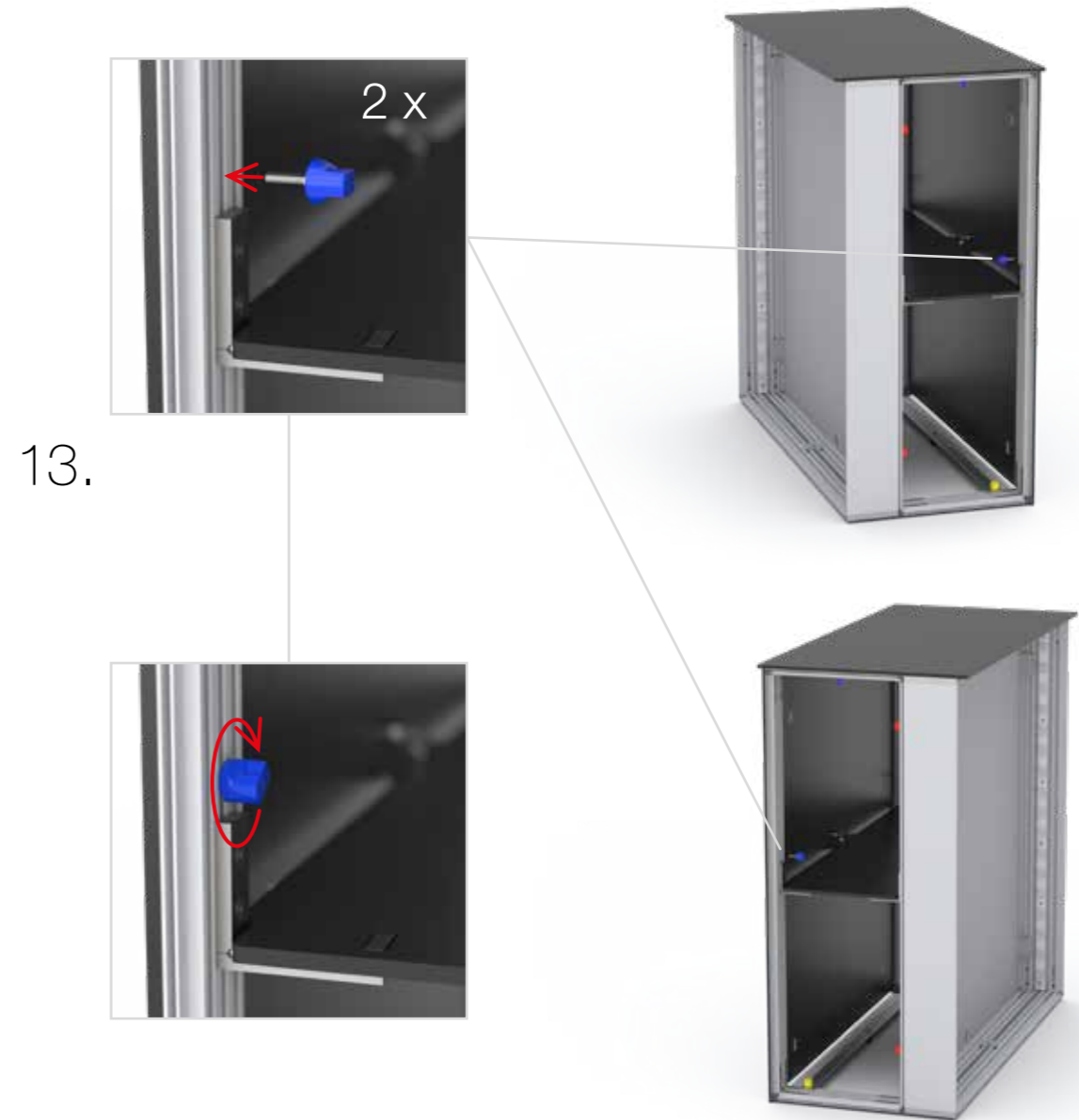


9.









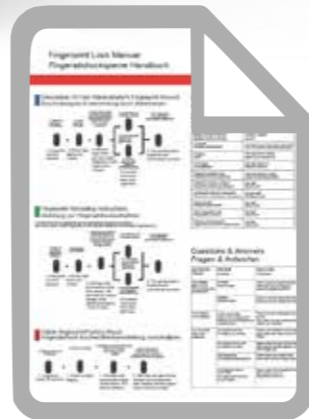
14.



15.



14.



15.





COUNTER

# BrandStand

YOUR COMPLETE DISPLAY & EXHIBITION SPECIALIST

0800 10 99 88